

PARTS LIST

Item No	Type	Part No	Description	Qty	Unit
001		162739-4	SHOE	1	PC.
002		265A78-8	HEX SOCKET HEAD BOLT M4X40	2	PC.
003		326599-0	LOCK PIN	1	PC.
004		252126-6	HEX. LOCKING NUT M4-7	2	PC.
005		347637-5	SHOE GUIDE PLATE	1	PC.
006		459924-1	LOCK LEVER	1	PC.
007		422542-8	INSULATION COVER	1	PC.
008	1	459923-3	* RELEASE DRUM	1	PC.
009		257430-8	RETAINING RING(EXT)18	1	PC.
010		310848-5	DRIVING SLEEVE	1	PC.
011		268094-3	PIN 3	1	PC.
012	1	327043-0	* GUIDE SLEEVE	1	PC.
012	2	327650-9	* GUIDE SLEEVE	1	PC.
013		234381-2	COMPRESSION SPRING 6	1	PC.
014		256569-4	SHOULDER PIN 5	1	PC.
015		310912-2	PUSH PIN	1	PC.
016		232472-3	COMPRESSION SPRING 2	1	PC.
017		458968-8	CONNECTING SLEEVE	1	PC.
018		233594-2	TORSION SPRING 17	1	PC.
019		422309-4	RUBBER RING 25	1	PC.
020		140P52-6	SLIDER GUIDE COMPLETE	1	PC.
020	INC.	213174-0	X RING 14	1	PC.
021	2	327652-5	* SLIDER	1	PC.
022		256945-2	PIN 6	1	PC.
023		310991-0	ROLLER	2	PC.
024		265374-8	H.S. BUTTON HEAD SCREW M5X12	1	PC.
025		253462-3	FLAT WASHER 5	1	PC.
026		140P53-4	GEAR COMPLETE	1	PC.
027		253463-1	FLAT WASHER 51	1	PC.
028		136224-3	SLIDER ASS'Y	1	PC.
028	INC.		Item No. 9-21		
029		922128-3	HEX. SOCKET HEAD BOLT M4X16	6	PC.
030		232583-4	TENSION SPRING 3	1	PC.
031		620C32-5	LED CIRCUIT	1	PC.
032	1	140P51-8	* GEAR HOUSING R COMPLETE	1	PC.
032	3	141G35-5	* GEAR HOUSING R COMPLETE	1	PC.
033		424858-7	FELT 16X16	1	PC.
034		422541-0	SEAL RING	1	PC.

Item No	Type	Part No	Description	Qty	Unit
035	3	141G34-7	* GEAR HOUSING L COMPLETE	1	PC.
036		911206-4	PAN HEAD SCREW M5X10	2	PC.
037	1	127468-6	* HOOK ASSEMBLY	1	PC.
037	2	122F82-9	* HOOK ASSEMBLY	1	PC.
038		266326-2	TAPPING SCREW M4X18	6	PC.
039		183N57-1	HANDLE SET	1	SET
040		961052-5	RETAINING RING S-12	1	PC.
041		211129-9	BALL BEARING 6201DDW	1	PC.
042		253744-3	FLAT WASHER 12	1	PC.
043		285038-8	BEARING RETAINER 80	1	PC.
044		510447-5	ROTOR ASS'Y	1	PC.
044	INC.		INC. 40-43,45		
045		210062-2	BALL BEARING 607ZZ	1	PC.
046		922117-8	HEX. SOCKET HEAD BOLT M4X12	2	PC.
047		266425-0	TAPPING SCREW M4X45	2	PC.
048		456178-1	BAFFLE PLATE	1	PC.
049		263002-9	RUBBER PIN 4	1	PC.
050		629470-0	STATOR	1	PC.
051		264002-2	SQUARE NUT M5	2	PC.
052		412476-3	MOTOR HOUSING	1	PC.
053		911243-8	PAN HEAD SCREW M5X25	4	PC.
054		456177-3	CHANGE BUTTON	1	PC.
055		651439-6	SWITCH C3JR-4B-2	1	PC.
056		620C31-7	CONTROLLER	1	PC.
058		8005T5-8	XGT LOGO LABEL	1	PC.
059		856P39-5	JR001G NAME PLATE	1	PC.
060		183N58-9	BATTERY HOUSING SET	1	SET
060	INC.	263005-3	RUBBER PIN 6	2	PC.
061		266326-2	TAPPING SCREW M4X18	2	
062		422543-6	CUSHION RUBBER	2	PC.
063	2	632P75-3	* TERMINAL UNIT	1	PC.
063	3	632P49-4	* TERMINAL UNIT	1	PC.
065		856P46-8	JR001G SERIAL NO. LABEL	1	PC.
A01		B-05038	RECIPRO SAW BLADE FOR METAL 5PC/SET	1	SET
A02		B-05044	RECIPRO SAW BLADE FOR PLYWOOD 5PC/SET	1	SET
A03		B-05153	RECIPRO SAW BLADE FOR WOOD 5PC/SET	1	SET
A05B		DC40RA	FAST CHARGER DC40RA	1	PC.
A07B		BL4040	40V MAX LI-ION BATTERY BL4040	1	PC.
A07B		BL4025	40V MAX LI-ION BATTERY BL4025	1	PC.

Item No	Type	Part No	Description	Qty	Unit
A08B		412393-7	BATTERY COVER F/XGT LI-ION	1	PC.

SERVICE CHANGES

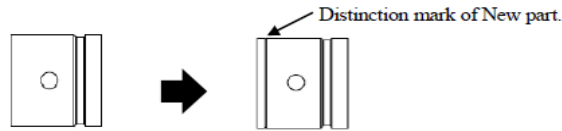
1. Changes on Guide Sleeve and Slider

T/I#D3105

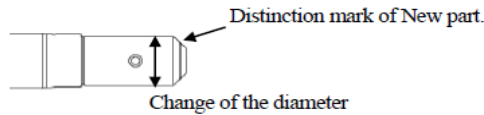
Item No.	Description	Type 1	Type 2
012	Guide Sleeve	327043-0	327650-9
021	Slider	327154-1	327652-5

Above parts are completely interchangeable as a set.

[Guide sleeve: Change of Inner diameter]



[Slider: Change of Outer diameter]

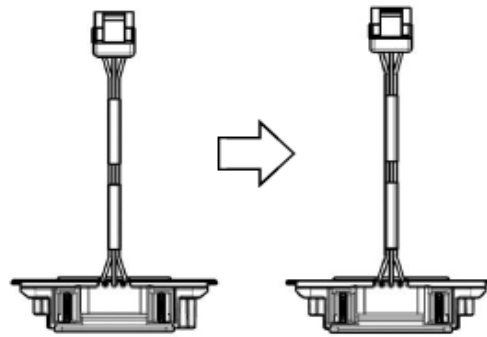
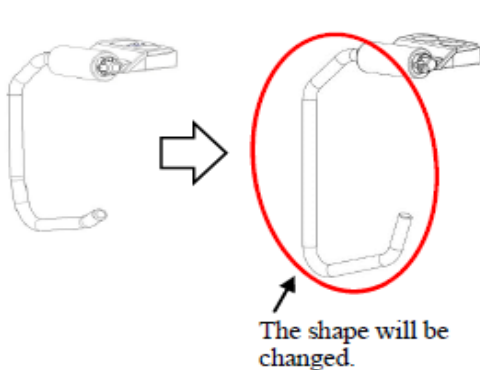


2. Changes on

T/I#DP125

Item No.	Description	Type 1	Type 2
037	HOOK ASSEMBLY	127468-6	122F82-9
063	TERMINAL UNIT	632P75-3	632P49-4

Above parts are completely interchangeable as a set.



3. Changes on Gear Housing L Com. And Gear Housing R Com.

T/I#D4334

T/I#DC037

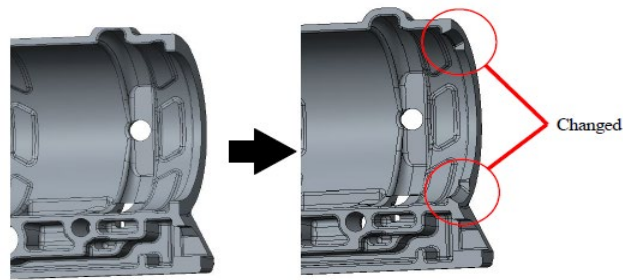
T/I#DT698

Item No.	Description	Type 1	Type 2	Type 3	Type 3
035	GEAR HOUSING L COMPLETE	140P50-0	140W36-6	141G34-7	141N95-9
032	GEAR HOUSING R COMPLETE	140P51-8	140W37-4	141G35-5	141N96-7
008	RELEASE DRUM	459923-3			413P68-7
067	RING SPRING 39	-----			232746-2

Above parts are completely interchangeable as a set.

T/I#D4334

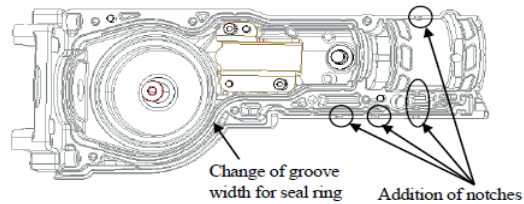
2 Detailed information
See the difference in shape as follows:



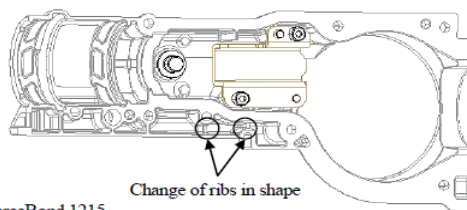
T/I#DC037

Detailed information

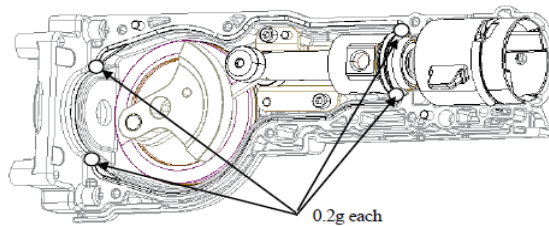
[1] Gear housing L complete



[2] Gear housing R complete



[3] Four positions to apply ThreeBond 1215



T/I#DT698

Ring spring 39 (232746-2) will be added.
Release drum and Gear housing completes L/R will be changed due to the addition of Ring spring 39.

